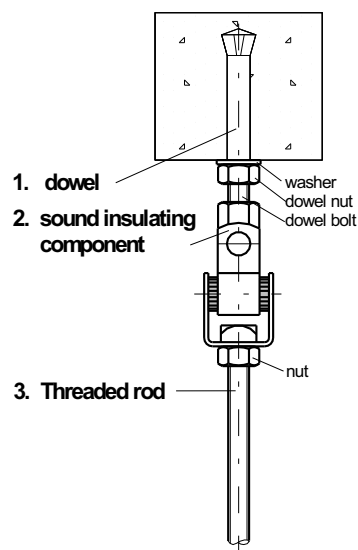
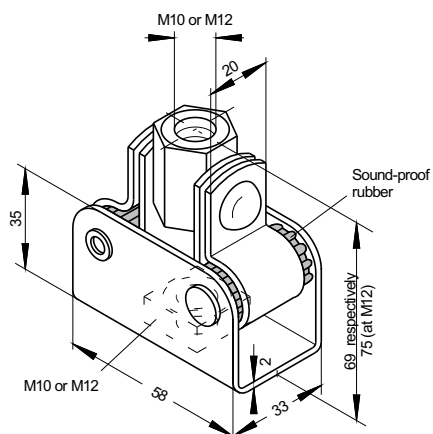


SOUND INSULATED  
according to  
DIN 4109

### Mounting sequence



Item	Description	Item number
104 G	M10 Internal thread connection	20001031
104 G	M12 Internal thread connection	20001032



All dimensions in mm

### Technical data

Sound-proofing performance: 15 db (A)  
 max. tensile strength: 2000 N  
 Bending load: > 10000 N  
 Spring constant: 0,33 KN/mm

### Description

Heavy duty structure-borne sound insulating fastening unit for the fastening of hanging installation components such as, e.g., pipelines, lower decks and ventilation ducts. This sound insulation component, placed with a distance to the medium, due to its prestressed riveted rubber profile fulfills the requirements of DIN 4109 permanently. Through this principle, a reduction of the sound insulation by faulty mounting is impossible, as well as aging and curing through high tempered pipes. This results in decade-long disposition of acoustical properties. Both screw-in threads of the zinc-plated fastener are arranged concentrically and can be carried out as M10 or M12 as desired.

### Combination possibilities with Type

114, 114 Mu, 114 Ni, 170 and 175

### Preferable fields of application

Sanitary-, heating-, airt-, climate- and refrigeration technology