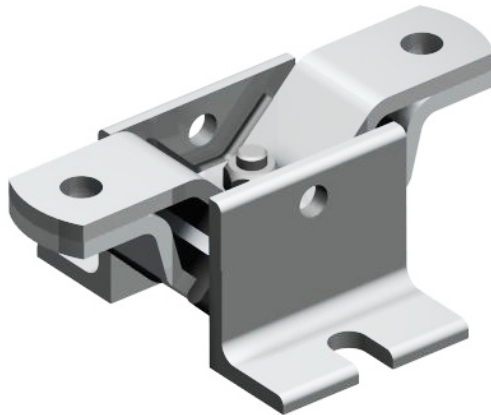
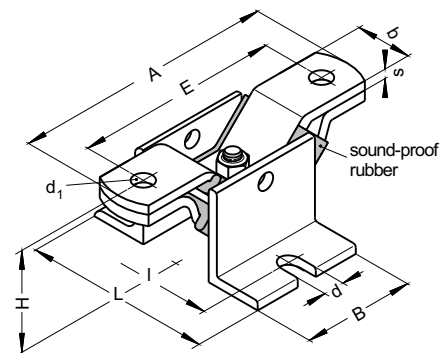


# SOUND INSULATING COMPONENT Type 116 LAE

DP 40 35 434



SOUND INSULATED  
according to  
DIN 4109



Item	Item number	b x s	A	E	H	L	I	B	d	d <sub>1</sub>
116 LAE	20003525	30x5	140	110	55	100	78	60	11	11

All dimensions in mm

## Technical data

Sound-proofing performance: 19 db (A)

Recommend load  
for sound insulating: 200 N bis 2000 N

max. strength for  
pressure, tensile or  
pipe shear forces: 4000 N

## Description

The sound insulating component 116 LAE for different construction parts e.g. pipe trusses, sound absorber, consoles and installations construction walls.

At work is the Type 116 LAE adjust for optimal sound insulation.

## Specification

Zinc-coated

## Combination possibilities with Type

303 PF