

TRAPEZE SHAPED SLAB BRACKET Type 60 AK

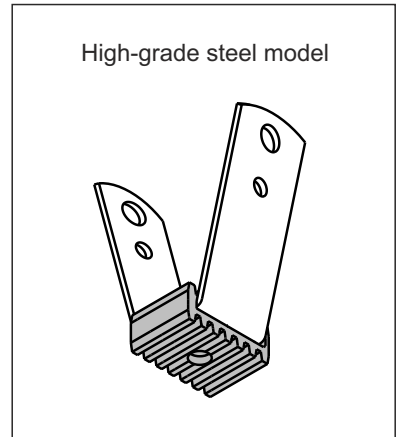
DBP 3818220.3

washer or washer-nut

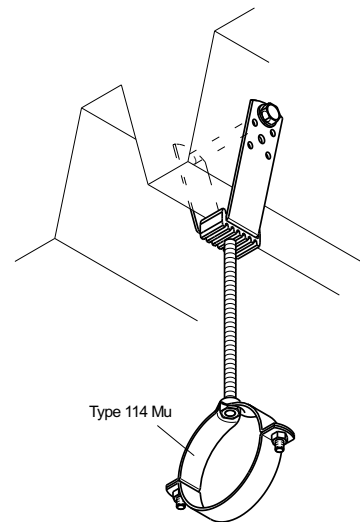
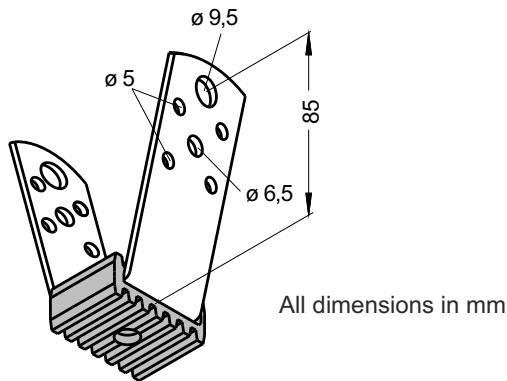


SOUND INSULATED
according to
DIN 4109

High-grade steel model



Mounting example



Item	Item number	Description
60 AK	21011042	for M8, with washer
60 AK	21023260	with washer-nut M8

Technical data

Sound-proofing performance: 20 db (A)
max. tensile strength: 500 N
Bending load: 5500 N

Description

Fastener for supporting of rectangular ventilating ducts, pipes etc. with structure-borne sound insulating rubber plates for threaded rod connection M8 with washer nut and with washer and hexagonal nut. The rubber cetring, as well as the strong profiling of the rubber insulation plate, are the deciding prerequisites for perfect sound insulation.

Specification

Zink-coated, with a washer (DIN 9021) or with a washer-nut (DIN 53010)

Preferable fields of application

Air--, climate--, sanitary- and heating technology

Also STAINLESS available
RUST
PROOF