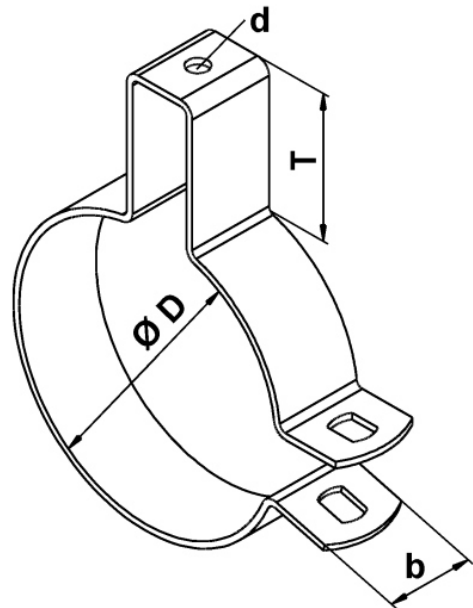
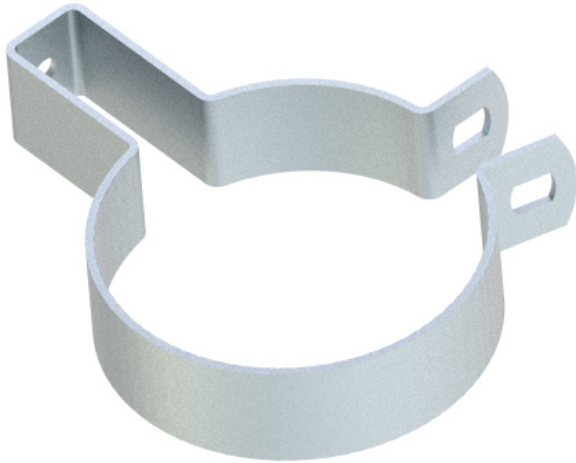


# CASE CLAMP

Type 112 FS

one piece



All dimensions in mm

øD	T	b	d	Item No.
60,0	34	20	5	33024412
75,0	11			33024710
<b>Other diameters on request. Please tell us the requested pipe diameter.</b>				

### Description

Clean shaped, one piece pipe clamp made from zinc-coated band steel with high mechanical load capacity. To be usable for the mounting of downpipes of all kinds. Due to the design of the pipe clamp a fixed distance to the structure is guaranteed depending on the diameter. Apart from the stylish look the pipe clamp features a higher bending stiffness compared to threaded rod connections.

### Specification

Zinc-coated

### Preferable fields of application

Conservatories, private housing construction

**Also STAINLESS available  
RUST  
PROOF**



Ordering designation: Type...  
e.g. 112 FS

Diameter...  
ø60.0

Surface steel bracket  
zinc-coated

Item number  
33024412