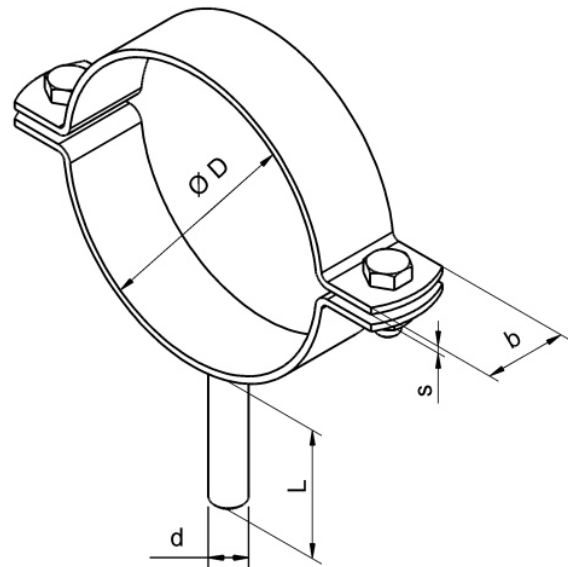


# PIPE CLAMP

with weld on shaft  
two pieces

Type 114-SHAFT



All dimensions in mm

Pipe $\varnothing$ D	b x s	d	L	Screws DIN 933, A2	Item number for A2
12.0	20 x 2.0	8	57	M6 x 16	22027022
18.0	20 x 2.0	8	57	M6 x 16	22027023
22.0	20 x 2.0	8	57	M6 x 16	22027024
28.0	20 x 2.0	10	57	M6 x 16	22027025
34.0	20 x 2.0	10	57	M6 x 16	22027026
40.0	20 x 2.0	10	57	M6 x 16	22027027
52.0	20 x 2.0	12	57	M6 x 16	22027028
70.0	20 x 2.0	12	57	M6 x 16	22027029
33.7	30 x 2.5	10	57	M8 x 20	22027039
42.4	30 x 2.5	10	57	M8 x 20	22027032
48.3	30 x 2.5	10	57	M8 x 20	22027033
60.3	30 x 2.5	12	57	M8 x 20	22027034
85.0	30 x 2.5	12	57	M8 x 20	22027030
104.0	30 x 2.5	12	57	M8 x 20	22027031

**Description**

Two pieces pipe clamp made of stainless steel with weld on nuts and weld on shaft. Suitable for all pipe types.

Deliverable in diameter range from 12.0 mm until 104.0 mm. Other  $\varnothing$  on request.

**Preferable fields of application**

Air-, climate-, sanitary- and heating technology

**Specification**

A2, on request A4

**STAINLESS STEEL**  
**RUST**  
**PROOF**

