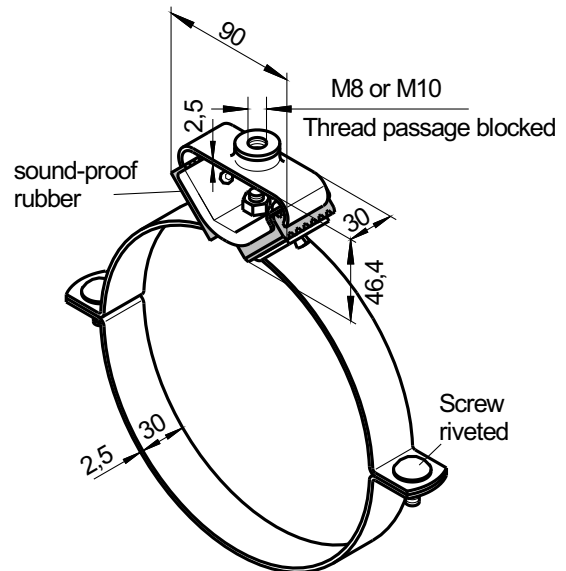


SCREW ON PIPE CLAMP

Type 114 A

two pieces, structure borne sound insulated
DBP 2834190.4-09



SOUND INSULATED
according to
DIN 4109

Technical data

Sound proofing performance: 20 db (A)

max. tensile strength: 1500 N

Bending load: 10 KN

Springing impedance (250 Hz) 10^6 g/s

Description

Structure-borne sound insulated, two pieces pipe clamp with screwed-on dipa® insulating unit Type 106. Due to the screwing-on thread M8 or M10 a stable connection to the structure without loosely parts is possible. For simplification of the mounting the connecting screws of the clamp halves are riveted at one clamp half.

The fastening Type 114 A is deliverable in diameter range from 100 mm until 1000 mm.

Specification

Zinc-coated

Preferable fields of application

Air- and climate technology