

PIPE CLAMP

two piece, with and without elastomer inlay
heavy model

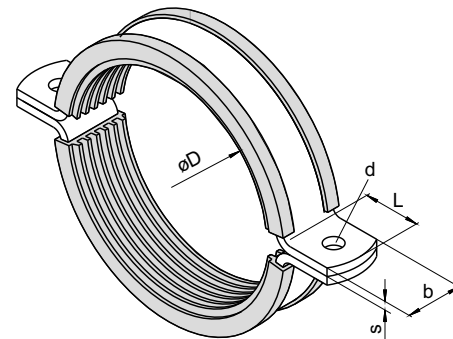
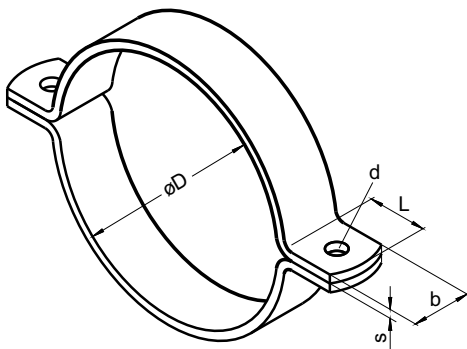
Type **114 S**
114 S Gu



Type 114 S



Type 114 S Gu



SOUND INSULATED
according to
DIN 4109

All dimensions in mm

Material b x s	$\varnothing D$	d	L
40x6,0	60.3 76.1 consecutive pipe diameter until 168.3	13,0	40
50x6,0	219.1 236.0 consecutive pipe diameter until 273.0	18,0	50
60x8,0	323.9 355.6 consecutive pipe diameter until 711.0	23,0	60
Other diameters on request. Please tell us the requested pipe diameter			

Specification

Ordinary steel, galvanized, hot-dip galvanized.
Stainless steel material-No. 1.4301 or 1.4571.

Also STAINLESS available
RUST
PROOF