

OVAL PIPE CLAMP

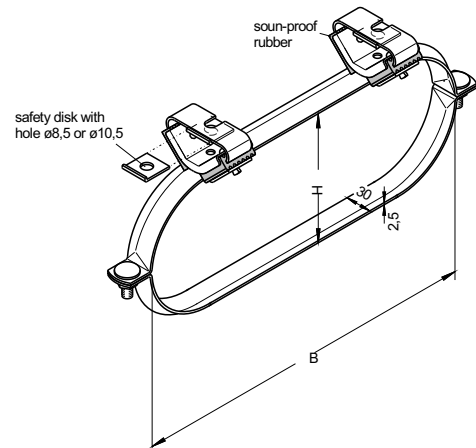
Type 114 Ov-A

sound-insulated, for ventilation pipes

dipa



SOUND INSULATED
according to
DIN 4109



All dimensions in mm

H / B	Material b x s	Mounted insulated units appropriate wide of the oval pipe clamp	
		Wide oval pipe clamp B [mm]	Number of insulating units
80/320 100/350 100/500 consecutive diameter until 500/1800	30x2,5	until 349	1 unit
		350 until 1199	2 units
		1200 until 1800	3 units
Other diameters on request. Please tell us the requested pipe diameter.			

Description

Structure-borne sound insulating, zinc-coated oval pipe clamp for the fastening of ventilation pipes in every installation situation with tightly screwed-on insulating components series Type 106.

To increase its own stability, the material dimension 30x2,5 is profiled.

Delivered in the pipe dimensions from H/B 80/320 until 500/1800.

Preferable fields of application

Air- and climate technology

**Also STAINLESS available
RUST
PROOF**