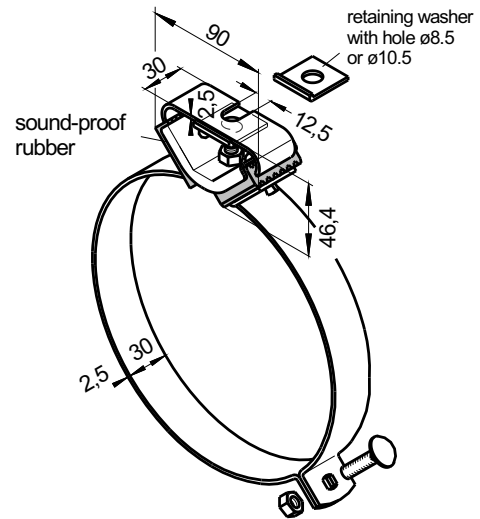


PIPE CLAMP

Type 130

DBP 2834190.4-09 with structure-borne sound insulation

SOUND INSULATED
according to
DIN 4109



Technical data

Sound-proofing performance:	20 db (A)
max. tensile strength:	1500 N
Bending load	10000 N
Spring impedance (250 Hz)	10 ⁶ g/s

Description

Structure-borne sound insulating pipe clamp with tightly screwed-on dipa® unit Type 106, for fastening folded spiral-seam pipes and other pipes in every installation situation. The pipe clamp Type 130 is also used as shock-proof fastener.

Delivered in diameters from 100.0 consecutive until 1000.0. Other dimensions on request.

Specification

Zinc-coated, with retaining washer and connecting-screw

Preferable fields of application

Air-, climate-, sanitary- and heating technology, shelter construction

Also STAINLESS available
RUST
PROOF