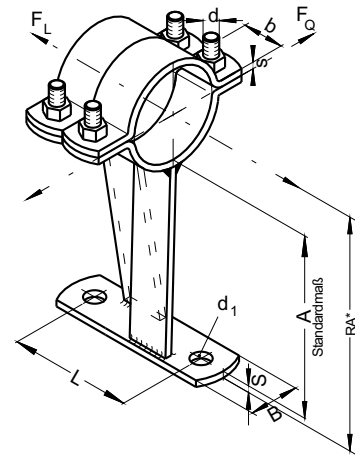


FIXED POINT PIPE CLAMP

Type 116 L



Other pipe diameters or RA-dimensions on request.

All dimensions in mm

Pipe \varnothing	b x s	B x S	L	d	d ₁	Standard A	Standard RA	max. load*														
								with pipe slip security		without pipe slip security												
								F _L [KN]	F _O [KN]	F _L [KN]	F _O [KN]											
21.3 26.9 33.7 42.4 48.3	30x5	40x6	100	M10	14	90	107 110 113 118 121	12,0	2,0	5,5	2,0											
57.0												40x6	50x8	120	M12	18	100	137	16,0	2,5	14,5	2,5
60.3 76.1 88.9												40x6	50x8	120	M12	18	130	169 177 183	16,0	2,5	14,5	2,5
108.0 114.3 133.0												50x8	60x8	160	M16	23	130	192 196 205	20,0	3,0	18,0	3,0
139.7 159.0 168.3 193.7 216.0 219.1												50x8	80x10	168	M16	23	130	210 220 225 237 248 250	22,0	4,0	18,0	4,0

*) inside a branched pipe network. The pipe slip protection is ensured by welding together clamp clips and pipe. Quality level of the anchor screw is min. 5.6 according to DIN 7990.

Description

The fixed point pipe clamp Type 116 L is made of flat steel and designed for the fastening of pipelines with larger structure distance and to receive larger pipe expansion forces. Can also applied hanging.

Specification

Material No. 1.0038 ordinary steel, zinc-coated or stainless steel material No. 1.4301 or 1.4571

Preferable fields of application

Pipeline construction, district heating, superheated steam

Also STAINLESS available
RUST
PROOF