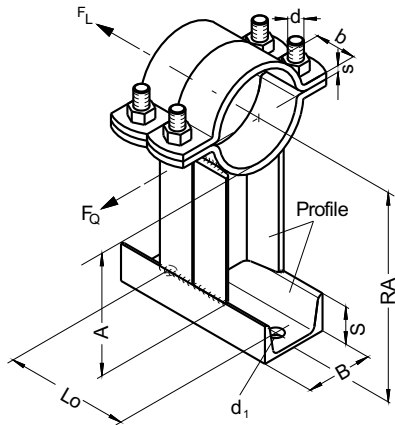
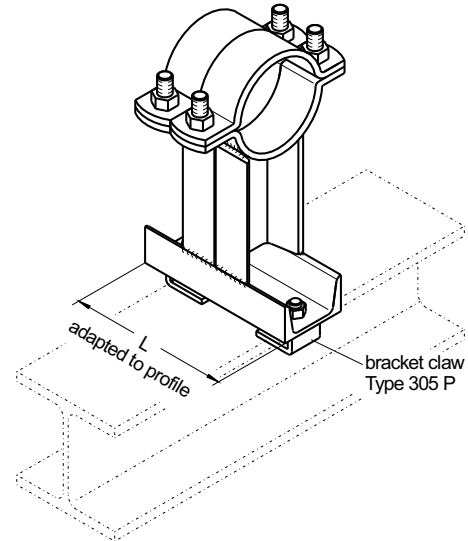


Type 116 S

Type 116-305P S-I  
for beam connection

All dimensions in mm

Pipe $\varnothing$	b x s	B x S	L <sub>0</sub>	d <sub>1</sub>	Standard A	Standard RA	Type 116 S Item numbers	
							Surface galvanized	Surface hot-dip galvanized
21.3	30x5	40x20	100	2x $\varnothing$ 11	90	121	23022376	23003529
26.9	30x5	40x20	100	2x $\varnothing$ 11	90	124	23022377	23003532
33.7	30x5	40x20	100	2x $\varnothing$ 11	90	127	23022378	23003535
38.0	30x5	40x20	100	2x $\varnothing$ 11	90	129	23022602	23003538
42.4	30x5	40x20	100	2x $\varnothing$ 11	90	131	23022379	23003541
44.5	30x5	40x20	100	2x $\varnothing$ 11	90	132	23022603	23003544
48.3	30x5	40x20	100	2x $\varnothing$ 11	90	134	23022380	23003547
57.0	40x6	40x20	100	2x $\varnothing$ 13	100	149	23022604	23003550
60.3	40x6	50x25	100	2x $\varnothing$ 13	130	185	23022381	23003553
76.1	40x6	60x30	110	2x $\varnothing$ 13	130	198	23022382	23003556
88.9	40x6	60x30	110	2x $\varnothing$ 13	130	205	23022383	23003559
108.0	50x8	80x45	150	2x $\varnothing$ 18	130	229	23022605	23003562
114.3	50x8	80x45	150	2x $\varnothing$ 18	130	232	23022384	23003565
133.0	50x8	80x45	150	2x $\varnothing$ 18	130	242	23022606	23003568
139.7	50x8	80x45	150	2x $\varnothing$ 18	130	245	23022385	23003571
159.0	50x8	100x50	180	2x $\varnothing$ 18	130	260	23022607	23003574
168.3	50x8	100x50	180	2x $\varnothing$ 18	130	264	23022386	23003577
193.7	50x8	120x55	230	2x $\varnothing$ 18	130	282	23022608	23003580
216.0	50x8	120x55	230	2x $\varnothing$ 18	130	293	23022609	23003583
219.1	50x8	120x55	230	2x $\varnothing$ 18	130	295	23022387	23003586
273.0	60x8	120x55	270	2x $\varnothing$ 23	130	322	23022388	23003589
323.9	60x8	140x60	270	2x $\varnothing$ 23	130	352	23022389	23003592
355.6	60x8	140x60	330	4x $\varnothing$ 18	130	368	23022390	23012171
368.0	60x8	140x60	330	4x $\varnothing$ 18	130	384	23022610	23012174
406.4	80x8	140x60	400	4x $\varnothing$ 18	130	393	23022391	23011107
508.0	80x8	180x70	470	4x $\varnothing$ 18	130	454	23022611	23011108
610.0	100x8	220x80	490	4x $\varnothing$ 23	130	515	23025443	23017747

Other diameters on request.  
Please tell us the requested pipe diameter.  
For Type 116 305P S-I additionally the size of the beam.