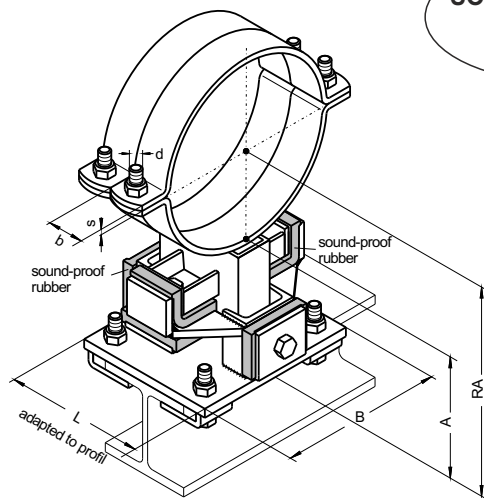


FIXED POINT PIPE CLAMP Type 116-305P SA4-I

for connection on I-beams
DP 4004055

**SOUND INSULATED
according to
DIN 4109**



Size	Pipe \varnothing	A	RA ± 2	B	b x s	d	L
1	108.0	107	162	180	50x8	M16	adapted to beam
	114.3		165				
	133.0		174				
	139.7		177				
	159.0		187				
	168.3		192				
2	193.7	135	232	220	50x8	M16	
	216.0		243		50x8	M16	
	219.1		245		50x8	M16	
	244.5		258		60x8	M20	
	267.0		269		60x8	M20	
	273.0		272		60x8	M20	
	298.5		285		60x8	M20	
	323.9		297		60x8	M20	
	355.6		313		60x8	M20	
	Other diameters on request. Please tell us the requested pipe diameter, the RA-dimension and the size of the beam.						

Description

The fixed point pipe clamp Type 116-305P SA 4 is a structure-borne sound-insulating fixed point unit made of welded flat and sectional steel for connecting directly to I-profile without drilling and welding. The rubber insulation plates are tempered in the factory according to their load-bearing requirements and are distributed over 6 levels. The fastening is designed, that the load-bearing capability is equal in all directions. The rubber insulating plates are load-bearing at any one time are loaded under pressure, resulting in a high load-bearing capability.

The pipe distance size indicated in the table (A) is the minimum cost-related size. According to pipe insulation strength, the A size is manufactured according to the customer requirements.

Combination possibilities with series

118, 171 and 180

Preferable fields of application

Pipeline construction, distance heating and superheated steam