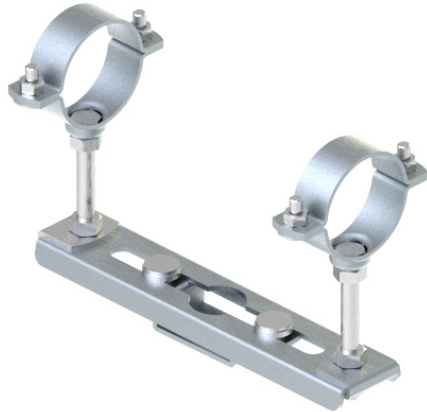


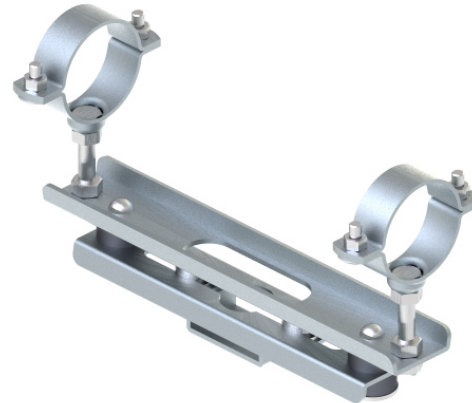
SLIDING PIPE CLAMP

Type **118 B**
118 BA

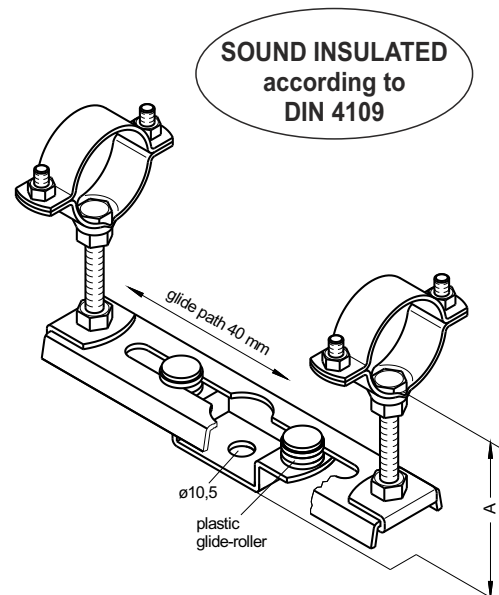
Type 118 B



Type 118 BA with sound insulation



Pipe ø [mm]	A [mm]	Glide path [mm]	Item number	
			118 B galvanized	118 BA hot-dip galvanized
17.2	80	40	24003609	24003617
21.3			24003610	24003619
26.9			24003611	24003621
33.7			24003612	24003623
42.4			24003613	24003626
44.5			24003615	24003627
48.3			24003616	24003628
Other diameters on request. Please tell us the requested pipe diameter.				



Description

Pipe fastening for supporting hot water pipe lines with considerable expansion for small pipe diameters of up to DN 40. The construction ensures a perfect sliding and rolling function. On model BA the rubber springs for the structure-borne sound-insulation have been arranged outside of the pipe insulation and are, therefore, not influenced by heat problems. Measurement A can be set from 60 mm to 80 mm in the standard model.

Combination possibilities with Type

116 L, 116 LA

Specification

Zinc-coated

Preferable fields of application

Sanitary-, heating- und pipeline construction



Ordering designations: Type... Diameter... A-dimension... surface... Item number
e.g. 118 BA ø33.7 A=80 galvanized 24003623