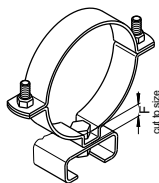


RESTRAINING ROLLER BEARING Type 118 Z 118 ZA

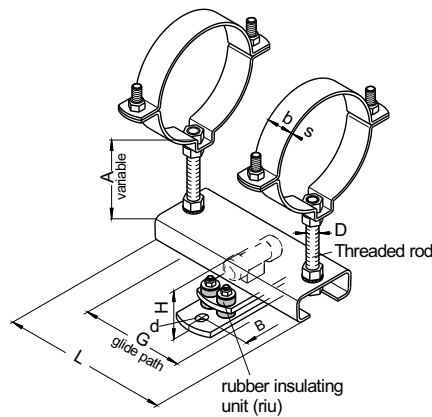
Roller storage restraint-guided for displacements in X direction

Type 118 Z



Variation without elevated track with fixed dimension F

Also STAINLESS available
RUST
PROOF



Type 118 ZA
with sound insulation



SOUND INSULATED according to DIN 4109

All dimensions in mm

valid for both designs									Type 118 Z				Type 118 ZA				
Size	Pipe ø	b x s	A Standard	L	D	d	Glide path	F	B	H	RA	Item number hot-dip galvanized	riu Piece	B	H	RA	Item number hot-dip galvanized
1	51.0	30x2,5	90	180	M12	11	117	14	78	38	106-154	24003694	2	136	53	121-169	24003714
	57.0										109-157	24003695				124-172	24003715
	60.3										111-159	24003696				126-174	24003716
	70.0										115-163	24003697				130-178	24003717
	76.1										119-167	24003698				134-182	24003718
	88.9										125-173	24003699				140-188	24003719
	108.0										40x4,0	120				250	M16
114.3	169-234	24003701	187-252	24003721													
133.0	178-243	24003702	196-261	24003722													
139.7	181-246	24003703	199-264	24003723													
159.0	191-256	24003704	209-274	24003724													
168.3	196-261	24003706	214-279	24003725													
193.7	50x8,0	180	300	M24	18	174	38	160	66	250-343			24003708	4	245		
219.1										263-356	24003708	283-376	24003727				
244.5										276-369	24003709	296-389	24003728				
267.0										287-380	24003710	307-400	24003729				
273.0										290-383	24003711	310-403	24003730				
298.5										303-396	24003712	323-416	24003731				
323.9										50x8,0	180	300	M24			18	174
355.6	331-424	24019831	351-444	24003733													

Weitere Durchmesser und A-Maße auf Anfrage. Geben Sie bitte bei Anfragen den genauen Rohrdurchmesser und das gewünschte A-Maß an.

