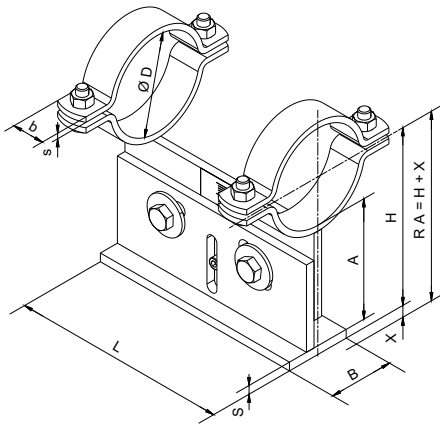


# GLIDE SUPPORT

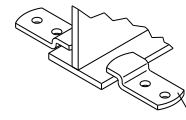
height adjustable

Type 121 T hv

## Type 121 T hv



### Accessories



Z-Holding down clamp  
z.B. Type 300 Z to screw on  
see page 129

X - Height of the gliding support

**For planning purposes, please consider the height of the gliding supports (X) if usage is demanded.**

All dimensions in mm

Type 121 T hv								
Ø D	b x s	L	B x S	A Insulation thickness	H	Screws	Item No. galvanized	Item No. hot-dip galvanized
26.9	30 x 5	150	60 x 6	100 - 142	120 - 162	M10 x 30	24025966	24025967
33.7	30 x 5	150	60 x 6	100 - 142	123 - 165	M10 x 30	24025968	24025969
42.4	30 x 5	150	60 x 6	100 - 142	127 - 169	M10 x 30	24025970	24025971
48.3	30 x 5	150	60 x 6	100 - 142	130 - 172	M10 x 30	24025972	24025973
60.3	30 x 5	200	60 x 8	100 - 142	138 - 180	M10 x 30	24025974	24025975
76.1	30 x 5	200	60 x 8	100 - 142	146 - 188	M10 x 30	24025976	24025977
88.9	30 x 5	200	60 x 8	100 - 142	153 - 195	M10 x 30	24025978	24025979
114.3	40 x 6	200	80 x 8	101 - 143	166 - 208	M12 x 40	24025980	24025981
139.7	40 x 6	200	80 x 8	101 - 143	179 - 221	M12 x 40	24025982	24025983
168.3	40 x 6	250	100 x 8	111 - 153	203 - 245	M12 x 40	24025984	24025985
219.1	50 x 6	300	120 x 10	111 - 153	231 - 273	M16 x 50	24025986	24025987
273.0	50 x 6	300	120 x 10	111 - 153	258 - 300	M16 x 50	24025988	24025989
323.9	50 x 6	300	140 x 10	111 - 153	283 - 325	M16 x 50	24025990	24025991
355.6	50 x 6	300	140 x 10	111 - 153	299 - 341	M16 x 50	24025992	24025993
406.4	50 x 8	300	140 x 10	113 - 155	326 - 368	M16 x 50	24025994	24025995
508.0	50 x 8	300	140 x 10	113 - 155	377 - 419	M16 x 50	24025996	24025997

**Other diameters and A-dimensions on request. Please tell us the requested pipe diameter and the A-Dimension.**

### Specification

Material No. 1.0038, galvanized or hot-dip galvanized.  
Also deliverable in stainless steel material No. 1.4301 and 1.4571.

### Gliding supports/glide guidance

Suitable gliding supports: Type 301, 302, 302 T-SH, 300 Z

### Fixed points

Suitable fixed points: Type 116 S, 116 SK, 116-305P/S-I

**Also STAINLESS available  
RUST  
PROOF**



Ordering designations: Type...  
e.g. 121 T hv

Diameter...  
ø60.3

A-dimension...  
A=90-132

Surface...  
galvanized

Item number  
24025974