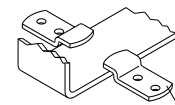
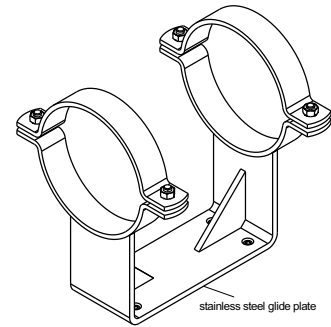
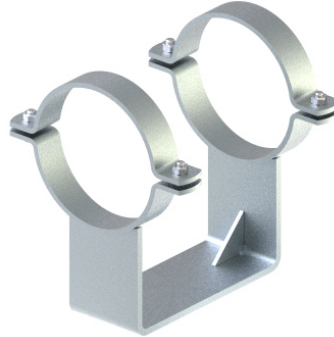
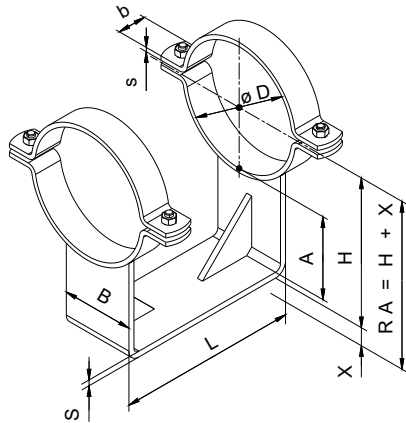


Type 121 U

Type 121 U-VA
with stainless steel glide plateZ- Holding down clamp
z.B. Type 300 Z to screw on
see page 129

X - Height of the gliding support

For planning purposes, please consider the height of the gliding supports (X) if usage is demanded.

Gusset reinforcement from ø D 168.3 - 508.0

All dimensions in mm

Type 121 U								
ø D	b x s	L	B x S	A Standard	H	Screws	Item No. galvanized	Item No. hot-dip galvanized
60.3	30 x 5	200	60 x 8	100	138	M10 x 30	24023504	24023520
76.1	30 x 5	200	60 x 8	100	146	M10 x 30	24023505	24023521
88.9	30 x 5	200	60 x 8	100	153	M10 x 30	24023506	24023522
114.3	40 x 6	200	80 x 8	130	195	M12 x 40	24023507	24023523
139.7	40 x 6	200	80 x 8	130	208	M12 x 40	24023508	24023524
168.3	40 x 6	250	100 x 8	130	222	M12 x 40	24023509	24023525
219.1	50 x 6	300	120 x 10	130	250	M16 x 50	24023510	24023526
273.0	50 x 6	300	120 x 10	130	277	M16 x 50	24023511	24023527
323.9	50 x 6	300	140 x 10	130	302	M16 x 50	24023512	24023528
355.6	50 x 6	300	140 x 10	130	318	M16 x 50	24023513	24023529
406.4	50 x 8	300	140 x 10	130	343	M16 x 50	24023514	24023530
508.0	50 x 8	300	140 x 10	130	394	M16 x 50	24023515	24023531

Other diameters and A-dimensions on request. Please tell us the requested pipe diameter and the A-dimension.

Specification

Material No. 1.0038, galvanized or hot-dip galvanized.
Also deliverable in ordinary steel or stainless steel material No. 1.4301 and 1.4571.

Gliding supports/glide guidance

Suitable gliding supports: Type 301, 302, 300 Z, 302-121-U-SH

Fixed points

Suitable fixed points: Type 116 S, 116 SK, 116 L, 116-305P/S-I

**Also STAINLESS available
RUST
PROOF**



Ordering designations: Type... Diameter... A-dimension... Surface... Item number
e.g. 121 U ø60.3 A=100 galvanized 24023504