

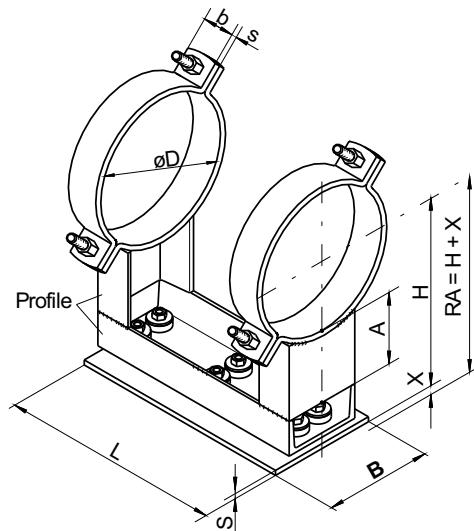
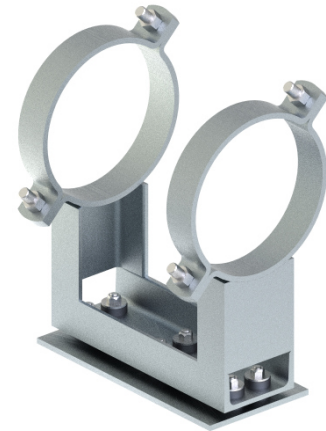
GLIDE SUPPORT

with sound insulation

Type **180 A**
180 A-H

dipa

Type 180 A

SOUND INSULATED
according to
DIN 4109Type 180 A-H
with lift-off prevention

X - Height of the gliding support

For planning purposes, please consider the height of the gliding supports (X) if usage is demanded.

All dimensions in mm

Pipe ø	b x s	A	H ±2	L	Screws	Profile	Type 180 A			Type 180 A-H with lift-off prevention			
							S	B	B	Item No. hot-dip galvanized	Item No. galvanized	Item No. hot-dip galvanized	Item No. galvanized
26.9	30x5	90	142	180	M10x30	40x20	8	40	90	24025575	24025595	24025663	24025677
33.7	30x5	90	145	180	M10x30	40x20	8	40	90	24025576	24025596	24025664	24025678
42.4	30x5	90	149	180	M10x30	40x20	8	40	90	24025577	24025597	24021615	24025679
44.5	30x5	90	150	180	M10x30	40x20	8	40	90	24025578	24025598	24025665	24025680
48.3	30x5	90	152	180	M10x30	40x20	8	40	90	24025579	24025599	24025666	24025681
57.0	40x6	100	172	240	M12x40	50x25	8	40	90	24025580	24025600	24025667	24025682
60.3	40x6	130	203	240	M12x40	50x25	8	50	100	24025581	24025601	24021616	24025683
76.1	40x6	130	216	240	M12x40	60x30	8	60	110	24025582	24025602	24021617	24025684
88.9	40x6	130	223	240	M12x40	60x30	8	60	110	24025583	24025603	24021618	24025685
108.0	50x8	130	247	250	M16x50	80x45	8	80	130	24025584	24025604	24025668	24025686
114.3	50x8	130	250	250	M16x50	80x45	8	80	130	24025585	24025605	24021619	24025687
133.0	50x8	130	260	250	M16x50	80x45	8	80	130	24025586	24025606	24025669	24025688
139.7	50x8	130	263	250	M16x50	80x45	8	80	130	24025587	24025607	24021620	24025689
159.0	50x8	130	278	250	M16x50	100x50	8	100	150	24025588	24025608	24025670	24025690
168.3	50x8	130	282	250	M16x50	100x50	8	100	150	24025589	24025609	24025671	24025691
219.1	50x8	130	313	350	M16x50	120x55	8	120	170	24025590	24025610	24025672	24025692
273.0	60x8	130	340	350	M20x60	120x55	8	120	170	24025591	24025611	24025673	24025693
323.9	60x8	130	370	360	M20x60	140x60	8	140	200	24025592	24025612	24025674	24025694
355.6	60x8	130	386	360	M20x60	140x60	8	140	200	24025593	24025613	24025675	24025695
406.4	80x8	130	411	390	M24x70	140x60	8	140	200	24025594	24025614	24025676	24025696

Other diameters and A-dimensions on request. Please tell us the requested pipe diameter and the A-dimension.**Specification**

Material No. 1.0038, galvanized or hot-dip galvanized.

Also deliverable in ordinary steel or stainless steel material No. 1.4301 and 1.4571.

**Also STAINLESS available
RUST
PROOF**Ordering designations: Type...
e.g. 180 ADiameter... A or H-dimension...
ø 219.1 A=130Surface...
galvanizedItem number
24025610