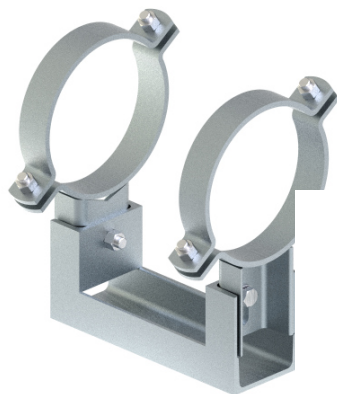
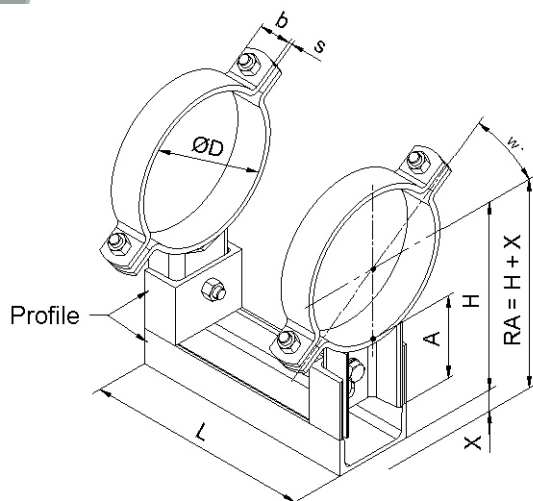


GLIDE SUPPORT

height adjustable

Type **180 hv**
180 hv H

dipa

Type 180 hv
height adjustable**Type 180 hv H**
height adjustable
with lift-off prevention

X= Height of the gliding support

For planning purposes, please consider the height of the gliding supports (X) if usage is demanded.

All dimensions in mm

Pipe Ø	b x s	height adjustable		L	Screws	W°	Profile	Type 180 hv		Type 180 hvH with lift-off prevention	
		A	H					Item No. hot-dip galvanized	Item No. galvanized	Item No. hot-dip galvanized	Item No. galvanized
26.9	30x5	90-120	129-159	180	M10x30	0°	50x25	24025631	24025647	24025771	24025787
33.7	30x5	90-120	132-162	180	M10x30	0°	50x25	24025632	24025648	24025772	24025788
42.4	30x5	90-120	136-166	180	M10x30	0°	50x25	24025633	24025649	24025773	24025789
44.5	30x5	90-120	137-167	180	M10x30	0°	50x25	24025634	24025650	24025774	24025790
48.3	30x5	90-120	139-169	180	M10x30	0°	50x25	24025635	24025651	24025775	24025791
57.0	40x6	100-130	154-184	240	M12x40	0°	50x25	24025636	24025652	24025776	24025792
60.3	40x6	130-160	185-215	240	M12x40	0°	50x25	24025637	24025653	24025777	24025793
76.1	40x6	130-160	198-228	240	M12x40	20°	60x30	24025638	24025654	24025778	24025794
88.9	40x6	130-160	205-235	240	M12x40	20°	60x30	24025639	24025655	24025779	24025795
108.0	50x8	130-160	229-259	250	M16x50	20°	80x45	24025640	24025656	24025780	24025796
114.3	50x8	130-160	232-262	250	M16x50	25°	80x45	24025641	24025657	24025781	24025797
133.0	50x8	130-160	242-272	250	M16x50	25°	80x45	24025642	24025658	24025782	24025798
139.7	50x8	130-160	245-275	250	M16x50	25°	80x45	24025643	24025659	24025783	24025799
159.0	50x8	130-160	260-290	250	M16x50	25°	100x50	24025644	24025660	24025784	24025800
168.3	50x8	130-160	264-294	250	M16x50	30°	100x50	24025645	24025661	24025785	24025801
219.1	50x8	130-160	295-325	350	M16x50	35°	120x55	24025646	24025662	24025786	24025802

Other diameters and A-dimensions on request. Please tell us the requested pipe diameter and the A- or H-dimension.

Specification

Material No. 1.0038, galvanized or hot-dip galvanized.

Also deliverable in ordinary steel or stainless steel material No. 1.4301 and 1.4571.

Also STAINLESS available
RUST
PROOFOrdering designations: Type...
e.g. 180 hvDiameter...
Ø 114.3A or H-dimension...
A=130-160Surface...
hot-dip galvanizedItem number
24025641

07.17