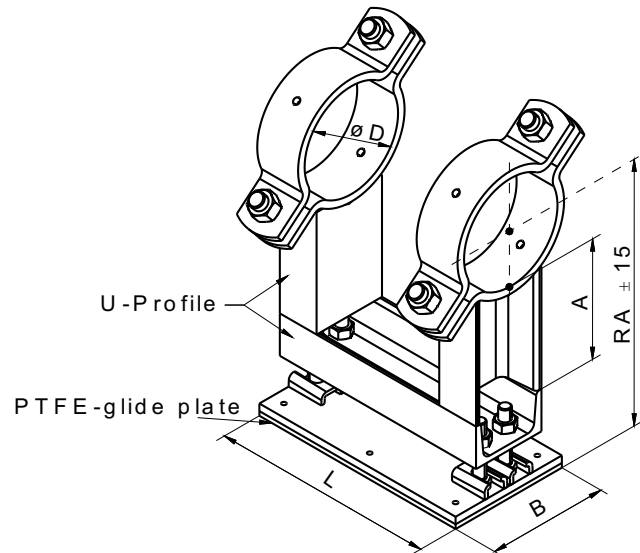
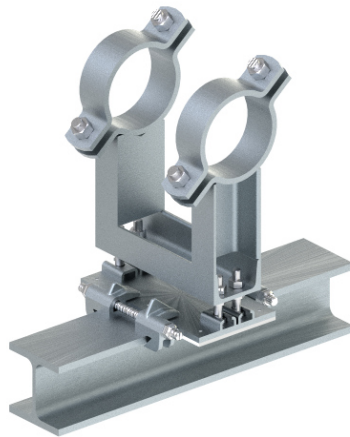


GLIDE SUPPORT

Type 180 HG hv

height adjustable

dipa

NEW

Mounting example
Glide support Type 180 HG hv in combination
with mounting clamp set Type 22 H1 see page 144

Description

Enhancements of the approved dipa® series 180 (see catalogue page 120) as a height adjustable variation with excellent gliding properties by holohedral PTFE-glide plate.

Ideally combinable with dipa® mounting clamp set Type 22 H1 (see catalogue page 144).

All dimensions in mm

D	L	B	RA ± 15	A Standard	U-Profile	Set screws	Leg-connection screws	Item No. galvanized	Item No. hot-dip galvanized						
60,3 76,1 88,9 114,3 139,7	240	130	256	130	80 x 45 x 240	M 12 x 60	M 12 x 40 M 12 x 40 M 12 x 40 M 16 x 50 M 16 x 50	24026759 24026758 24026757 24026319 24026320	24026753 24026752 24026509 24026506 24026317						
168,3			315							130	100 x 50 x 240	M 12 x 60	M 16 x 50	24026321	24026318
219,1			352								120 x 55 x 350	M 16 x 70	M 16 x 50	24026756	24026751
273,0			379								120 x 55 x 350	M 16 x 70	M 20 x 60	24026755	24026750
323,9			417								140 x 60 x 360	M 20 x 80	M 20 x 60	24026754	24026749

Other diameters and RA-dimensions on request. Please tell us the requested pipe diameter and the RA-dimension.

Specification

Material No. 1.0038, galvanized or hot-dip galvanized.

Also deliverable in ordinary steel or stainless steel material No. 1.4301 and 1.4571.

**Also STAINLESS available
RUST
PROOF**



Ordering designations: Type...
e.g. 180 HG hv

Diameter...
ø 76.1

Surface...
galvanized

Item number
24026758