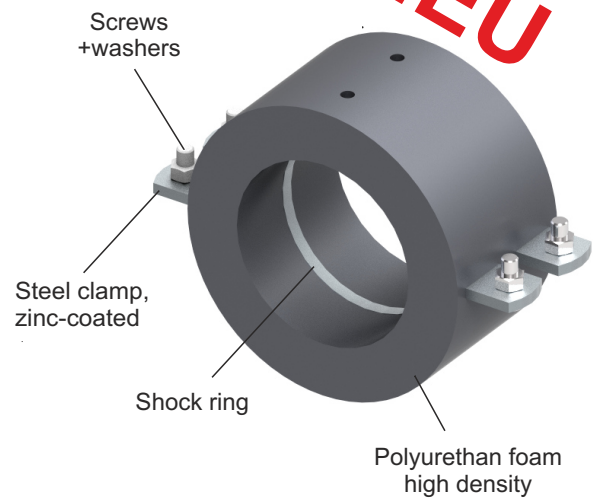
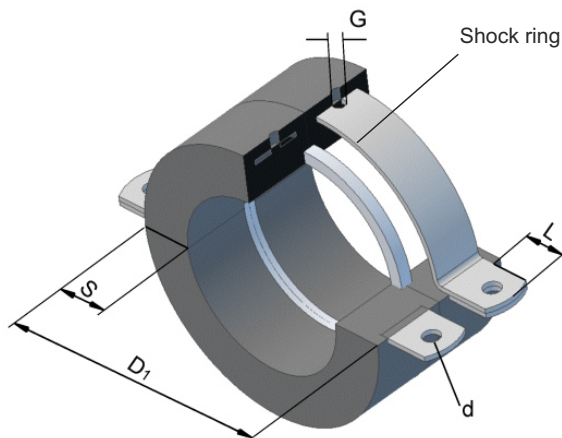
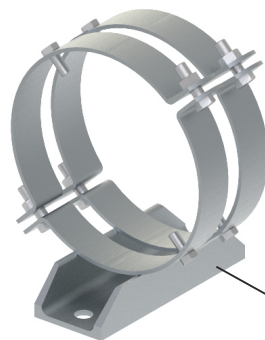


# LOW TEMPERATURE PIPE CLAMP Type 170F

for fixed point mounting with integrated shock ring



Presentation = Scope of delivery



Matching  
Underconstruction Type 173  
(not included)

All dimensions in mm

Item number	Pipe $\varnothing$	D <sub>1</sub>	d	L	S	G
26027137	60,3	120	11,0	30	30	M10
26027138	76,1	136	11,0	30	30	M10
26027139	88,9	150	11,0	30	30	M10
26027078	114,3	194	14,0	40	40	M10
26027077	139,7	220	14,0	40	40	M10
26027076	168,3	248	14,0	40	40	M12
26027075	219,1	339	18,0	55	60	M16
26027074	273,0	393	18,0	55	60	M16

Item number	Pipe $\varnothing$	D <sub>1</sub>	d	L	S	G
26027073	323,9	444	23,0	60	60	M20
26027143	355,6	476	23,0	60	60	M20
26027072	406,4	526	23,0	65	60	M24
26027144	457,2	577	23,0	65	60	M24
26027145	508,0	628	23,0	65	60	M24
26027146	610,0	730	23,0	68	60	M24
26027147	711,0	841	23,0	68	65	M24
26027483	813,0	943	23,0	68	65	M24

## Description

The low temperature pipe clamp Type 170 F is a two piece low temperature clamp. In connection with the underconstruction Type 173 it is uable as low temperature fixed point clamp. The included shock ring is welded on to the pipeline by the building contractor. The load disclosures be seen at catalogue page 170.

## Combination possibilities

Series 171, underconstruction Type 173

## Preferable fields of application

Low temperature pipelines until -30°C

## Specification

Steel bracket zinc-coated

**Also STAINLESS available  
RUST  
PROOF**

**Other diameters on request. Please tell us the requested pipe diameter.**



Ordering designations: Type...  
e.g. 170F

Diameter...  
 $\varnothing$ 139.7

D<sub>1</sub>-dimension...  
D<sub>1</sub> = 220

Surface steel bracket  
zinc-coated

Item number  
26027077