

**LOW TEMPERATURE ROLLER-/
GLIDE BEARING**
height adjustable

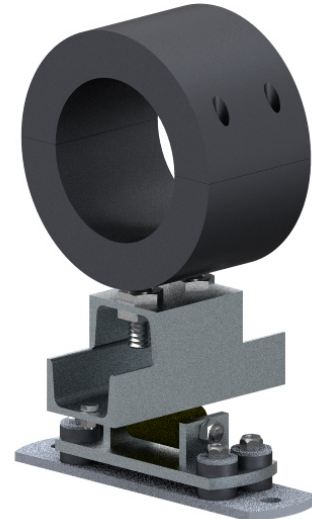
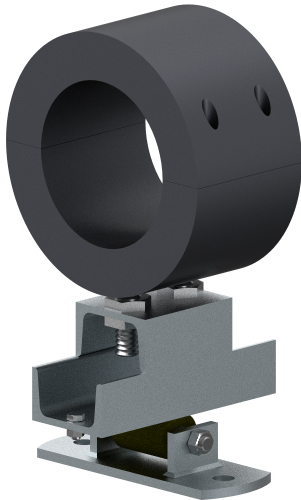
Type **172 G**
172 GA



Low temperature roller bearing **lying** loosely
for displacements in **X - Y** direction

Type 172 G

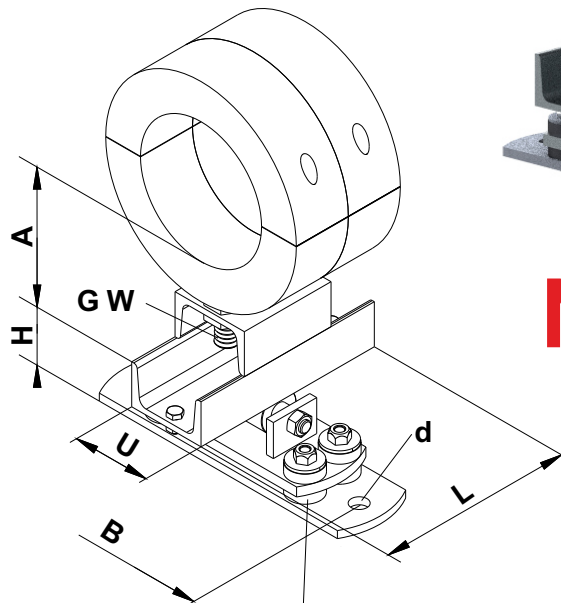
Type 172 GA
with sound insulating



SOUND INSULATED
according to
DIN 4109

NEW

NEW



**Rubber insulating
unit (riu)**

All dimensions in mm

valid for both designs							Type 172 G			Type 172 GA with sound insulating			
Size	Pipe ø	L	GW	d	U- Profile	A Standard	B	H	Item number hot-dip galvanized	riu piece	B	H	Item number hot-dip galvanized
2	60.3	200	1/2"	14	60x30	70-100	130	50	26029982	4	180	68	26029990
	76.1								26029983				26029991
	88.9								26029984				26029992
	114.3								26029985				26029993
3	139.7	200	3/4"	18	80x45	95-125	160	53	26029886	4	245	73	26029994
	168.3								26029887				26029995
	193.7								26029988				26029996
	219.1								26029989				26029997

**Other diameters and A-dimensions on request. Please tell us the requested
pipe diameter and the A-dimension.**



Ordering designations: Type...
e.g. 172 GA

Diameter...
ø168.3

A-Dimension...
A= 100

Surface...
hot-dip galvanized

Item number
26029995