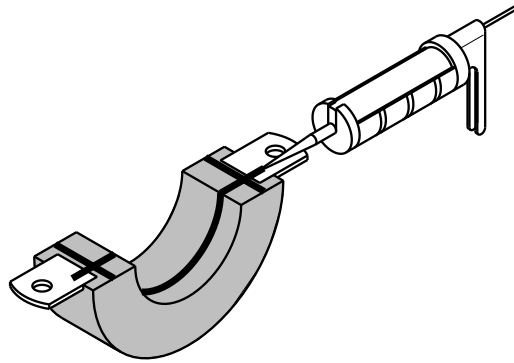


MOUNTING INSTRUCTIONS**Type 170 - 175**

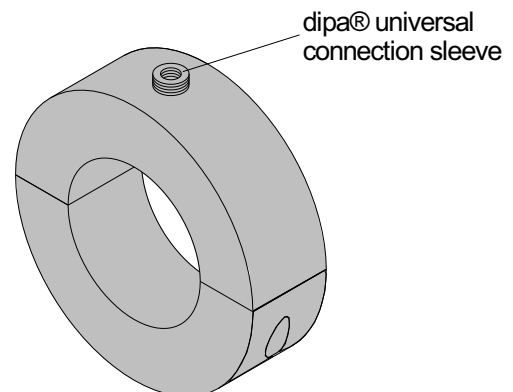
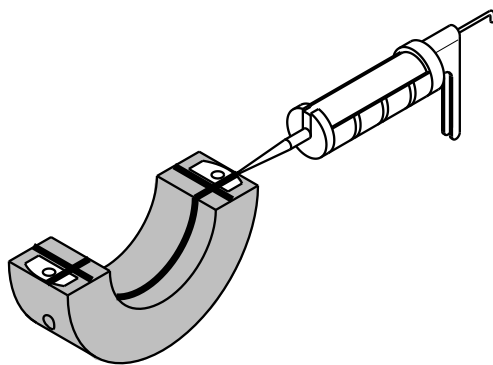
for dipa® low temperature pipe clamps

**Type 170**

Before mounting the low temperature pipe clamps of Type 170 or 175 apply a 1 cm thick ring shaped stripe of the dipa seal paste 4045 (Item No. 31004966, catalogue page 174) on the inner side of the two half clamps near the tube bearing surface and on the area of connecting surface of the two clamp halves.

**Type 175**

The low temperature pipe clamp Type 175 is delivered with the dipa® universal connection sleeve. This has to be screwed-in at the mounting **totally** and not be used as height adjustable element.

**Type 171-1**

The factory-premounted construction has to be disassembled on site. The dipa® seal paste Type 4045 (Item No. 31004966, catalogue page 174) has to be applied on the connecting surfaces of the low temperature pipe clamps and the tube bearing surface in the same way as Type 170.

