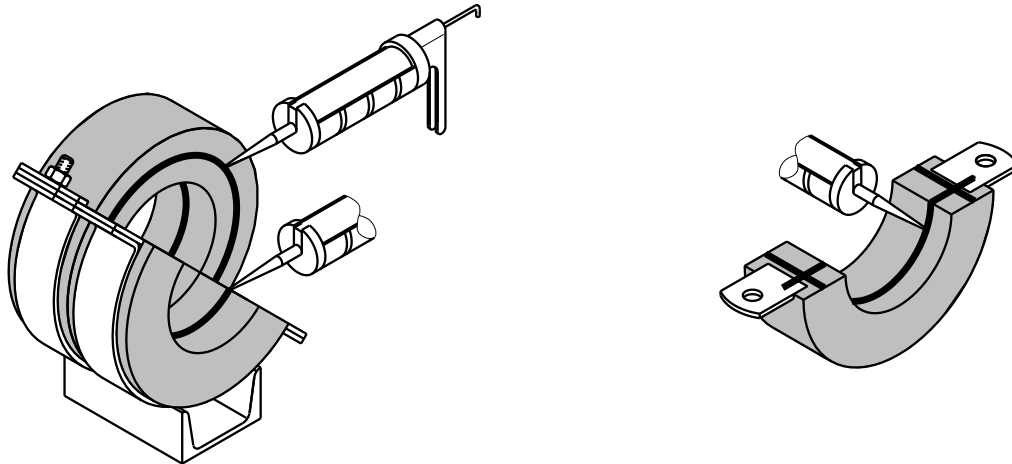


Type 171-2

The factory-premounted construction has to be disassembled on site. The dipa® seal paste Type 4045 (Item No. 31004966, catalogue page 174) has to be applied on the connecting surfaces of the four low temperature pipe clamps and on the tube bearing surface in the same way as Type 170.



Type 173 F

At the factory-premounted construction only the upper part may be removed. Then the halves are sealed with dipa® seal paste Type 4045 (Item No. 31004966, catalogue page 174) as Type 170. The steel brackets, which connect through the middle thread with the low temperature clamps, are not allowed to be disassembled.

