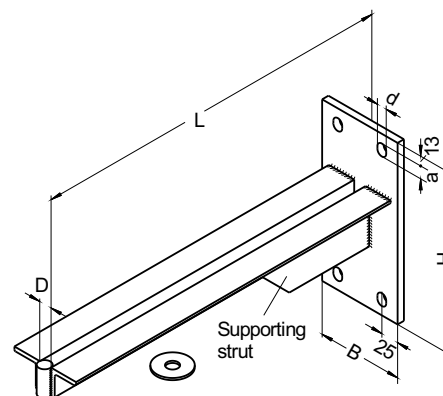
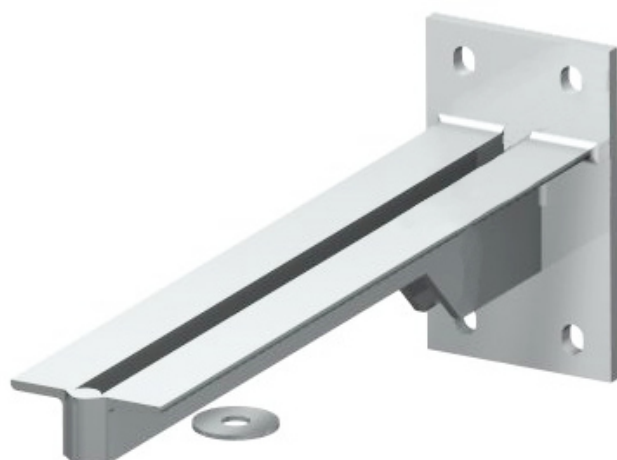


CONSOLE**Type 303 PF**

for superimposed load and horizontal shear forces

dipa



Size	H x B	L	Supporting strut	D	d x a	Hole number	1 KN load		2 KN load	
							Item number hot-dip galvanized	ca. weight kg	Item number hot-dip galvanized	ca. weight kg
1	150x80	200	ohne	18	14x18	2	27004614	1,9	27004615	2,3
2	150x80	300	ohne	18	14x18	2	27004620	2,4	27004621	4,2
3	200x120	400	mit	18	14x18	4	27004626	5,2	27004627	7,3
4	250x120	500	mit	18	14x18	4	27004632	6,4	27004633	8,9
5	300x180	600	mit	18	14x18	4	27004638	9,0	27004639	12,3
6	350x180	700	mit	18	14x18	4	27004644	10,5	27004645	14,3

Specification

Material No. 1.0038, ordinary steel, hot-dip galvanized or stainless steel material No. 1.4301 or 1.4571 with a U-washer DIN 440 or 9021

Combination possibilities with Type

116 LA, 118, 171, 180, 190, 302 S

**Also STAINLESS available
RUST
PROOF**



Ordering designations: Type...
e.g. 303 PF

Size...
Gr. 3

L-dimension...
L=400

Load...
1 KN

Surface...
hot-dip galvanized

Item number...
27004626