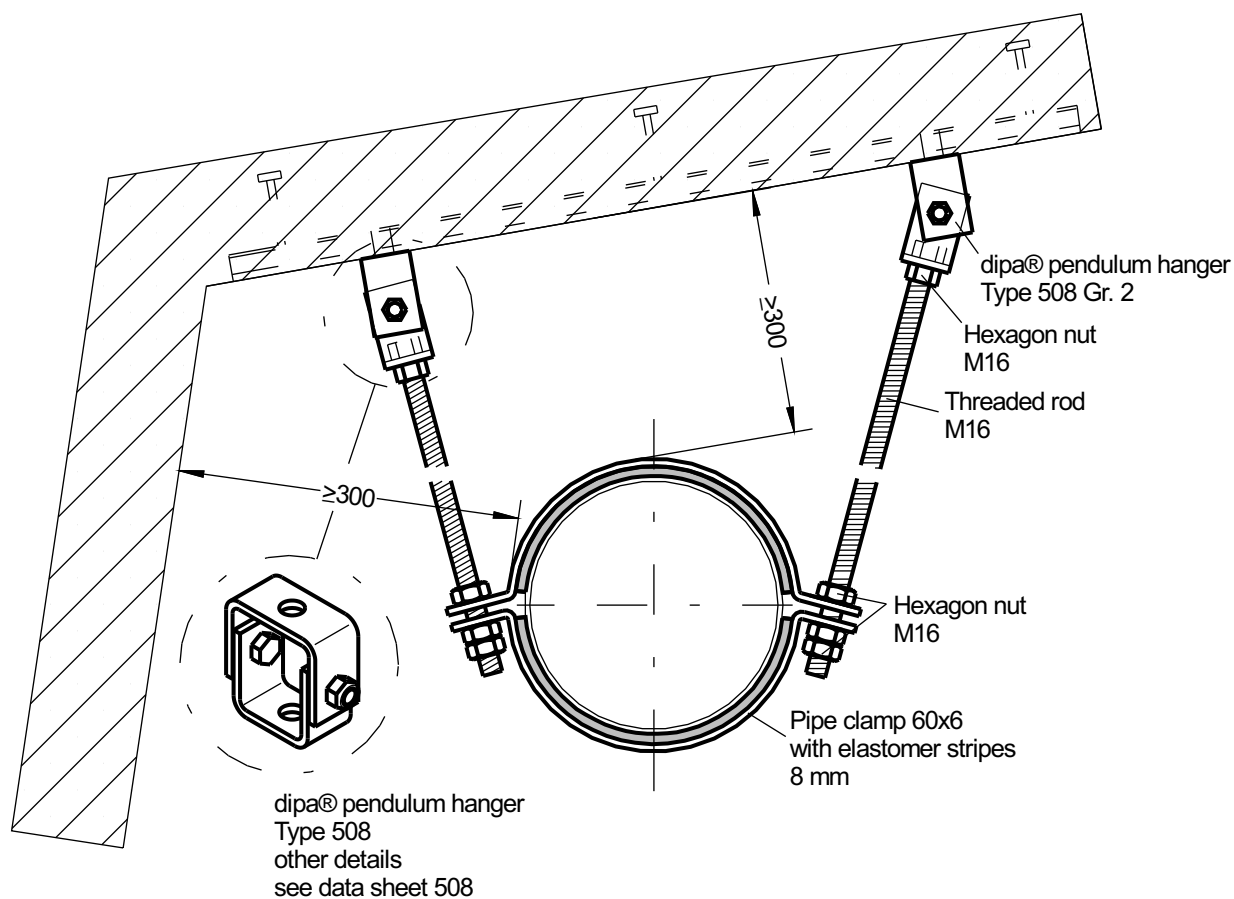


according to the guide line drawings WAS 13 picture 2, edition Dez. 2004



STAINLESS STEEL
RUST
PROOF

Presentation = Scope of supply



Description

Two piece pipe clamp made of stainless steel, quality A4, material No 1.4571 with inserted elastomer stripes 8 mm, diameter range DN 150 to DN 400.

As pendulum hanger wall connection with dipa® pendulum hanger Type 508 size 2, threaded rod M16 and hexagon nut according to guide line drawings WAS 13 picture 2.