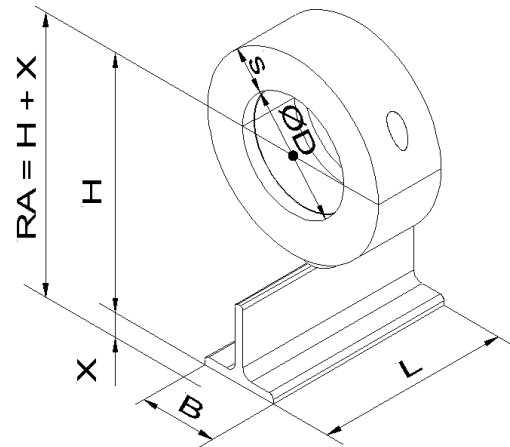


# LOW TEMPERATURE GLIDE SUPPORT

## Type 171-1 T plus



**Type 171-1 T plus**  
Type 175 plus 1-clamp  
linked by adapter to  
T 60x150 with welded on  
½" threaded sleeve

X = Height of the gliding support

**For planning purposes, please consider the height of the gliding support (X) if usage is demanded.**

All dimensions in mm

Ø D	s	L	H ± 2	Screws	T-Profile [B]	Item No. hot-dip-galvanized
21,3	30	150	117	M 6x20	60	26037771
26,9	30		117	M 6x20		26037772
33,7	30		120	M 6x20		26037683
42,4	30		127	M 6x20		26037773
48,3	30		127	M 6x20		26037774
57,0	30	150	133	M 10x30	60	26037775
60,3	30		133	M 10x30		26037684
70,0	30		141	M 10x30		26037776
76,1	30		141	M 10x30		26037777
88,9	30		148	M 10x30		26037685
108,0	40	150	170	M 12x40	60	26037778
114,3	40		170	M 12x40		26037686
133,0	40		183	M 12x40		26037779
139,7	40		183	M 12x40		26037780
159,0	40		193	M 12x40		26037781
168,3	40	150	197	M 12x40	60	26037687

**Galvanized, other diameters and H-dimensions on request. Please tell us the requested pipe diameter and the H-dimension.**

### Specification

Clamp and adapter in galvanized steel, T-profile and threaded sleeve hot-dip-galvanized.

T-profile and threaded sleeve also deliverable in ordinary steel or stainless steel No. 1.4301 and 1.4571 .

### Gliding supports / glide guidance

Suitable gliding supports: Type 301, 302, 302 SF, 302 T-SH, 300 Z, 22 H1 and 22 H4

**Also STAINLESS available  
RUST  
PROOF**



**Ordering designations:** Type... Diameter... Surface... Item number  
e. g. 171-1 T ø76.1 hot-dip-galvanized 26037777