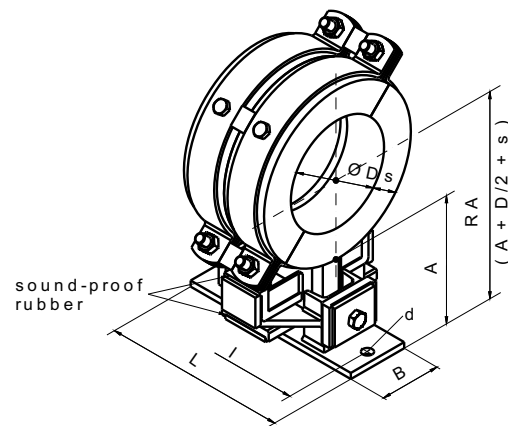
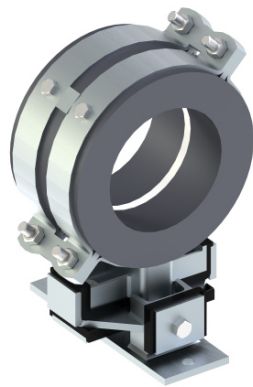


LOW TEMPERATURE FIXED POINT PIPE CLAMP

with sound insulation

Type **173 F-
116 SA4**

dipa



All dimensions in mm

Size	Pipe \varnothing	s	A Standard	B x L	l	d	Item number hot-dip galvanized
1	54.0	30	105	80 x 240	210	14	26020291
	60.3						26015743
	76.1						26015744
	88.9						26015745
	108.0						26025261
2	114.3	40	135	120 x 300	260	18	26015746
	139.7						26015747
	168.3						26015748
	193.7						26025262
	219.1						26015749
	273.0	60					26015595
	323.9						26022060
	355.6						26019078
	368.0						26025263
	406.4						26019428
508.0	26022304						

Description

The Low temperature fixed point pipe clamp Type 173 F-116 SA4 is a sound-insulated fix point made of welded steel, delivered zinc coated. The included steelring manages the adjacent forces through a form-closed connection between pipe and fix point (for diagrams see page 170).

The rubber insulation elements are integrated on six different levels. Due to the design of force angles, the insulation elements are only extruded to pressure, which allows a high bearing pressure.

The A-Distance shown in the table is minimum height. All other heights can be customised to customers demand. Due to the integration of dipa pipe clamps Type 170 (see page 151), Type 173 F-116 SA4 fulfils fix point and low temperature insulation requirements.

Combination possibilities with Type

172 GA, 172 ZA and 171 A

Preferable fields of application

Low temperature pipes with sound insulation requirements

SOUND INSULATED
according to
DIN 4109

